

Technical data sheet for

EC40M5 ON THE SK40A STAND

Full Size 5 Tray Manual / Electric Combi Oven on a Stainless Steel Stand



STANDARD FEATURES

- Electric direct steam version
- 5 x 1/1 GN tray capacity
- 5 x 600mm x 400mm tray capacity
- 70mm tray spacing
- Compact 812mm wide
- 7kW heating power
- Hand shower with fittings and connections included
- Electro-mechanical controls to set time, temperature and operation mode
- Temperature range 50-260°C
- Manual timer range up to 120 minutes
- Selector for convection, steam and combi modes
- Door open rapid cool down function
- Manual cleaning system with externally-connected hand shower
- Autoreverse (automatic inversion of the direction of the fan) for perfectly uniform cooking
- Manual chamber venting
- LED chamber lighting
- Perfectly smooth cooking chamber walls with rounded edges
- Double-glazed door with thermo-reflective tempered glass
- Adjustable hinges for optimal door seal
- Triple action water filter cartridge and filter head included

ACCESSORIES

- Turbofan SK40A Oven Stand



EC40M5

Unit shall be a Moffat electrically heated Turbofan direct steam injection combination convection steam oven. The oven shall have a stainless steel oven chamber with 5 x 1/1 GN capacity, 75kW power rating and a auto-reversing direction fan. Oven door shall be vented safe touch and feature LED oven chamber lighting. Electro-mechanical controls shall provide Convection, Steam, and Combi cooking mode selection, door open rapid cool down function, temperature control 50-260 C, manual timer for up to 120 minutes, and a manual oven vent open/close switch. A water hand shower shall be included as standard. Oven shall be able to be bench mounted on 100mm feet or mounted on Turbofan oven stand model SK40A. Unit shall be supplied in 100% recyclable shipping packaging.

SK40A

Unit shall be a Moffat Turbofan stainless steel oven stand. The stand shall be constructed from stainless steel tube with 4 adjustable feet. It shall be fitted with 6 tray runners suitable for 1/1 GN pans and 600 x 400 trays. The stand shall be fully compatible with, and support, Turbofan Combi Oven models EC40M5, EC40M7, EC40D5 and EC40D7. Unit shall be supplied in 100% recyclable shipping packaging.

EC40M5 Full Size Manual/ Electric Combi Oven on a Stainless Steel Stand

Dimensions

Width	812mm
Depth	725mm
Height	795mm
Weight	74kg

Packed Dimensions

Width	910mm
Depth	865mm
Height	900mm
Weight	85kg
Volume	0.71 m ³

Shelves

1/1 GN	5
Shelf Spacings	70mm

Power connection requirements

Multi pole circuit breaker and all pole disconnection isolator switch installed near the appliance.

Electrical requirements

400-415V, 50Hz, 3P+N+E, 7.5kW, 11A/ph or 230-240V, 50Hz, 1P+N+E, 7.5kW, 32A

Water connection requirements

Water Supply

1 x R3/4 connections
Cold Water
Flow pressure 200-500 kPa
Shut off valve with back flow prevention

Water Quality

- total hardness 60-90 ppm
- pH > 7.5
- Cl-(chloride) <30 ppm
- temperature < 50°C

Drain

- Funnel waste trap/tundish required
- 40 mm outlet
- Minimum fall/slope for waste 4°

SK40A Stainless Steel Stand

All stainless steel welded frame oven stand for Turbofan EC40 5 tray and 7 tray Series Combi ovens
6 position tray runners
4 height adjustable feet
Supplied CKD for assembly on site

External Dimensions (SK40A Oven Stand)

Width	810mm
Height	854mm
Depth	650mm

Nett Weight (SK40A Oven Stand)

19kg

Packing Data (SK40A Oven Stand)

22kg	
0.11m ³	
Width	830mm
Height	880mm
Depth	160mm

INSTALLATION CLEARANCES

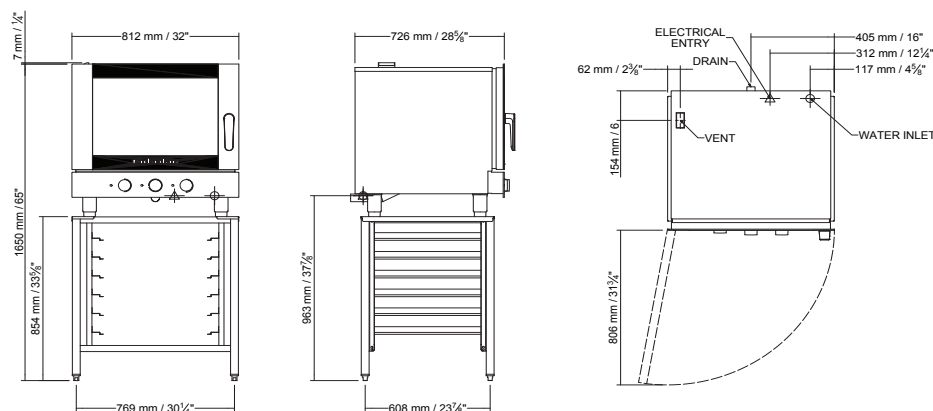
Installation requirements (for precise installation instructions, please refer to the unit's installation manual).

- rear 50mm
- right 50mm*
- left 50mm*

*For recessed installations a minimum of 500mm clearance must be maintained on one of the sides.

If heat sources are located near the Turbofan Combi, ensure that a minimum distance of 400mm is maintained.

Install in accordance with local body regulations only on horizontal surfaces and not against combustible walls.



Australia
www.moffat.com.au
New Zealand
www.moffat.co.nz
www.turbofanoven.com

Australia
Moffat Pty Limited
Victoria/Tasmania
740 Springvale Road
Mulgrave, Victoria 3170
Telephone 03-9518 3888
Facsimile 03-9518 3833
vsales@moffat.com.au
New South Wales
Telephone 02-8833 4111
nswsales@moffat.com.au

South Australia
Telephone 03-9518 3888
vsales@moffat.com.au
Queensland
Telephone 07-3630 8600
qldsales@moffat.com.au

Western Australia
Telephone 08-9202 6820
bgarcia@moffat.com.au

New Zealand
Moffat Limited
Christchurch
45 Illinois Drive
Izone Business Hub
Rolleston 7675
Telephone +64 3-983 6600
Facsimile +64 3-983 6660
sales@moffat.co.nz

Auckland
Telephone 09-574 3150
sales@moffat.co.nz



In line with policy to continually develop and improve its products, Moffat Limited reserves the right to change specifications and design without notice.

